

Type 94 105

The signal device meets the following regulations:

ICAO Annex 14, Volume I, 3rd edition 1999



Basic Information

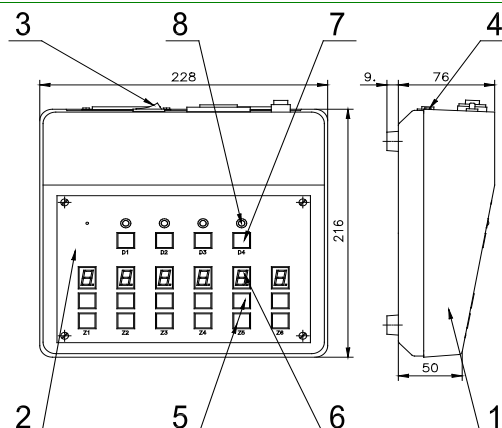
The **panel** is housed in a polystyrol two-section box (Refer to the figure above) into which is inserted an aluminium panel protected with powder coating. Key buttons, seven-segment displays and LEDs are located on the panel for remote controlling and optical signalling the **constant current sources** (hereinafter “ZKP”) and the airport equipment.

The layout of controlling and signalling elements with their letter names can be modified on the panel as per the area of the airport or the heliport. The designation of elements is **engraved** onto the panel. Two output connectors are located on the box bottom section wall to which are connected, by means of communications cables, the control and signal circuits of the constant current sources and the airport equipment.

The panel is equipped with an **acoustic** signalisation of a failure activated when there is a discrepancy between remote control commands and feedback signals from the constant current sources; a panel key button can switch off the acoustic signalisation.

Technical Diagram

- 1 – Box
- 2 – Panel
- 3 – Mains switch
- 4 – Connector
- 5 – ZKP key buttons
- 6 – ZKP display
- 7 – Device key button
- 8 – Device LED



Use

The panel allows the airport personnel to control and signal remotely the **work mode** of up to six sources of constant current (ZKPT7) that feed the luminous systems at small airports. It also allows controlling and signalling the work mode of up to four additional airport devices, such as obstacle illumination, wind direction pointer, and others.

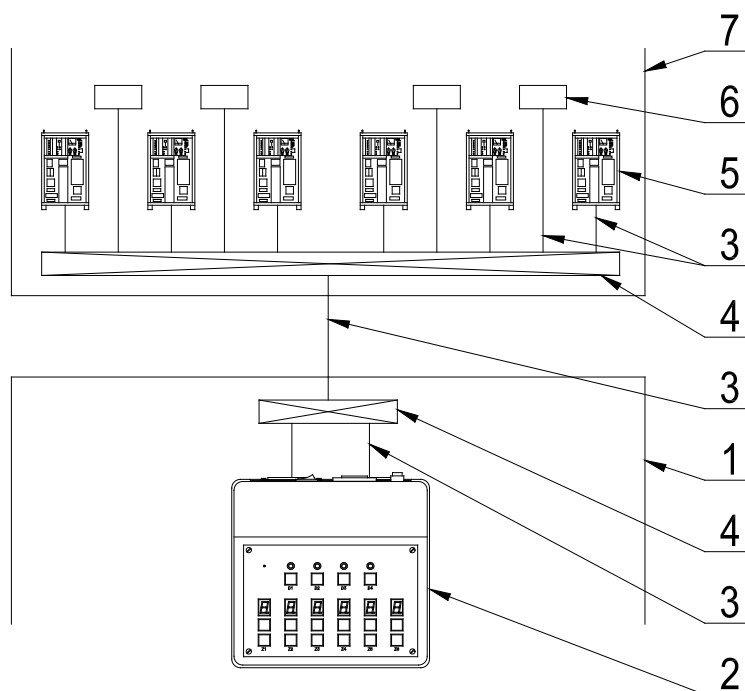
The panel may also be used for controlling lighting systems at heliports.

Installation

The control panel is designed for installing in the airport or heliport dispatcher's room.

Installation example:

- 1 – Dispatcher's room
- 2 – Control panel
- 3 – Communications cable
- 4 – Cable plug
- 5 – ZKP
- 6 – Devices
- 7 – Transformer station



Basic Technical Data

Mechanical Parameters:

Dimensions (WxLxH): 228x216x50 (85) mm
 Mass: 2 kg

Electrical Parameters:

Supply voltage: 230 V / 50 Hz
 Input: 35 W
 Insulation resistance: Min. 2 MΩ
 Protection level: IP20

Other Parameters:

Operation temperature: +5°C up to +40°C

Contact

ELTODO EG, a.s.
 Novodvorská 1010/14
 142 01 Praha 4, Czech Republic
 Phone: +420 261 346 828
 Fax: +420 261 346 803
 E-mail: eltodo@eltodo.cz
<http://www.eltodo.cz>