

Orion Fixture



Basic Information

The **ORION** fixture is a simple durable fixture suitable for illuminating public areas and communications, parking lots, outside industrial spaces and other areas.

The fixture has excellent luminous properties and a high level of protection of the optical section. Its variability allows multiple installation configurations.

Technical Description

The fixture consists of a base made of aluminium alloy, polycarbonate housing, a reflector made of polished anodized aluminium, and of a polycarbonate optical cover. All polycarbonate material used are stabilised against UV radiation effects.

The technical design of the fixture allows easy access to both the additional circuits section and the luminous source. The luminous source is located in the fixture's integral optical block by means of a special socket, which, thanks to its silicone sealing, prevents unwanted humidity and air-borne impurities from entering.

The socket allows mounting on an extender or the pole shaft up to the diameter of 60 mm both vertically and horizontally. The fixture tilt is set up during the assembly.

As standard, the fixture is supplied in a light grey colour.

Maintenance

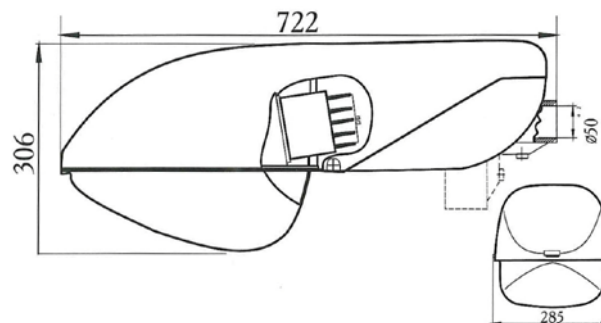
The luminous source can be replaced and the electric block removed after tilting the plastic cover. The luminous source socket holder bears a bayonet-fixing system furnished with a silicone sealing. The system can simply be pushed into/pulled out of the optical system by a slight turning.

Electric additional circuits can be repaired in a workshop after simple removal of the whole electric block plate.

Luminous Source

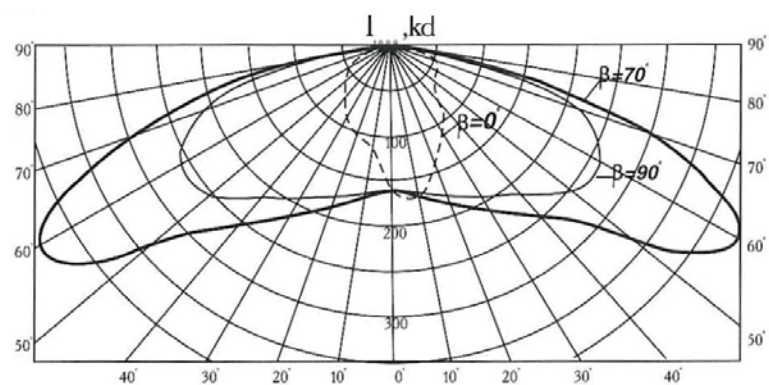
Standard model: 70 W – 250 W high-pressure sodium lamp
 Custom-made model: HME 80, 120 W high-pressure mercury discharge lamp

Light Fixture Dimensions



Photometric Data

HST 100 W luminosity curve



Lighting Fixture Parameters

Name:	Public lighting system fixture
Type:	ORION
Rated voltage:	230 V / 50 Hz
Luminous source:	70 -250 W sodium discharge lamp
Optical section protection:	IP65
Additional circuits protection:	IP23
Electric class:	I.
Dimensions (LxWxH):	722x285x306 mm
Mass:	8.1 - 9.0 kg

Contact

ELTODO EG, a.s.
 Novodvorská 1010/14
 142 01 Praha 4, Czech Republic
 Phone: +420 261 346 828
 Fax: +420 261 346 803
 E-mail: eltodo@eltodo.cz
<http://www.eltodo.cz>