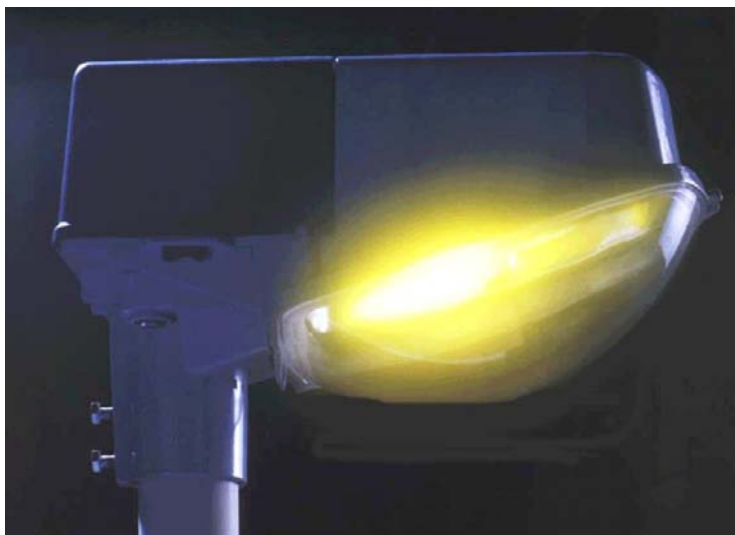


PUBLIC LIGHTING SYSTEM Z1 SIDONIA LIGHTING FIXTURE

Z1 Sidonia Lighting Fixture



Basic Information

Economical compact lighting fixture of robust design, high-level luminous properties, a long service life, a hermetically encased block, a variable installation concept, anti-vandalism protection but yet maximum simplicity – those are the parameters that, along with an affordable price, rate the Sidonia lighting fixture among the most widespread lighting units on the Czech market. It is highly suitable for illuminating urban and rural spaces as well as residential areas, parks, and quiet zones. It is used in locations with medium and low traffic density.

A significant advantage of these lighting units consists in energy savings and maintenance cost thanks to “**Sealsafe**”.

Technical Description

The fixture consists of a housing made of die-cast aluminium, a top removable cover of rigid plastic, a removable plate with additional circuits, and a block made with a vacuum-coated reflector.

The adjustable position of the discharge lamp against the reflector allows luminous flux to be directed as per the customer’s wish.

The fixture can be fixed to the pole shaft, an extender, and a special holder directly on the wall, or as a T-shaped set of two lighting fixtures by means of a special support.

Sealsafe®

The fixture design and technology guarantee fully hermetic enclosure of the optical section and, thus, a long service life through the Sealsafe® system.

This is a combination of the reflector, its protective cover, the fixture, and the luminous source in one common optical block.

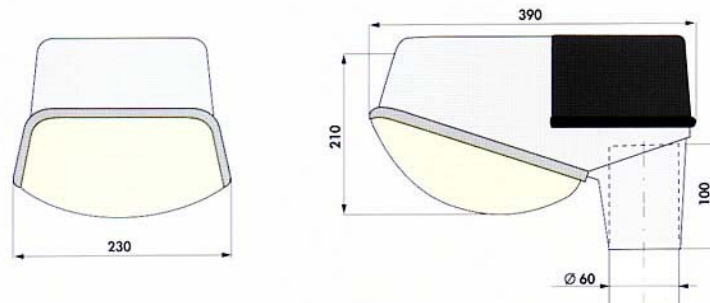
The system guarantees long-term adherence to the preset high-level luminous properties.

Maintenance

The luminous source and the electric block can be replaced after removing the plastic cover. The luminous source socket holder bears a bayonet-fixing system furnished with a silicone sealing; the system can be pushed/pulled into/from the optic system by slight turning.

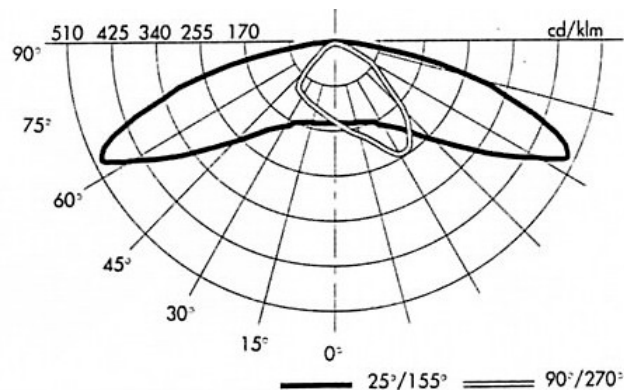
Electric additional circuits can be repaired in a workshop after simple removal of the whole electric block plate.

Z1 Lighting Fixture Dimensions



Z1 Photometric Data

Luminance curve of 100 W high-pressure clear sodium discharge lamp



Z1 Lighting Fixture Parameters

Rated voltage:	230 V / 50 Hz
Luminous source:	50 – 100 W sodium discharge lamp
Optical section protection:	IP 66
Additional circuits protection:	IP 44
Electric class:	I (II)
Dimensions (LxW):	390x230 mm
Pole shaft diameter:	60 mm
Mass:	5.2 – 6.8 kg (model-dependent)

Contact

ELTODO EG, a.s.
 Novodvorská 1010/14
 142 01 Praha 4, Czech Republic
 Phone: +420 261 346 828
 Fax: +420 261 346 803
 E-mail: eltodo@eltodo.cz
<http://www.eltodo.cz>