

## Pedestrian Crossing Pole



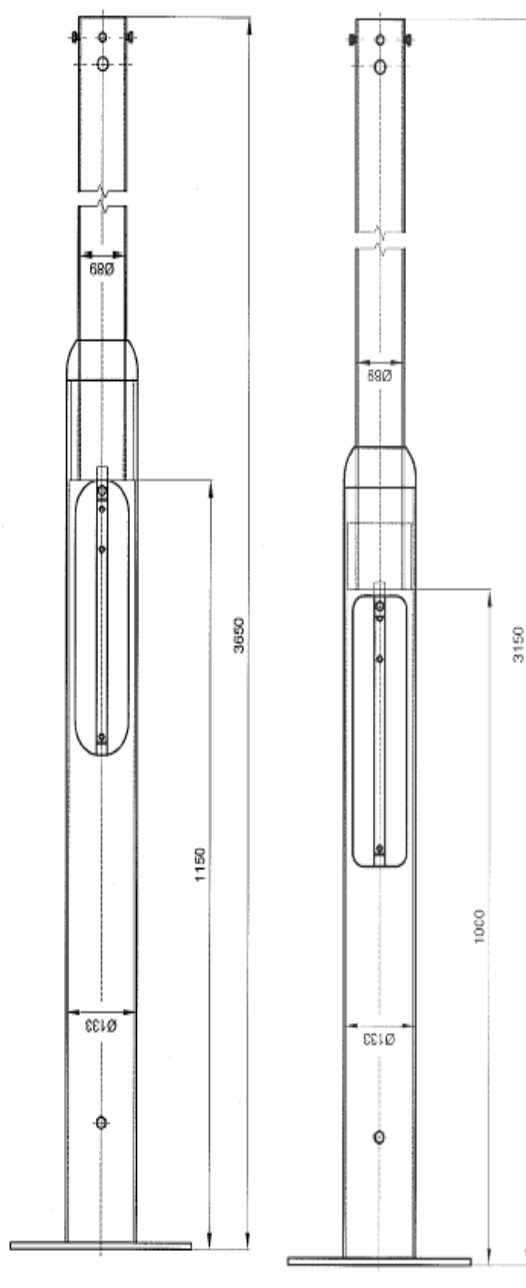
## Basic Information

The pedestrian crossing pole is designed for installation on road communications, primarily at crossings. It is used with two- or three-colour traffic signal devices, traffic signs, pedestrian crossing buttons, or with additional equipment for blind orientation.

## Technical Description

The pole body is welded from steel tubes of various diameters. The terminal plate for connecting signals from the traffic controller is located under a lockable door. The advantage of this pole consists in its easy installation to cables coming out of a concrete-cast protector. The pole is manufactured in the flanged model. The pole is mounted to a prepared base with four screws. The finish is normally carried out with hot zinc dipping, or with a metallic synthetic coating tinted as per the customer's wish. As agreed with the manufacturer, the length of the pole may be modified as per the customer's specification.

## Dimensions:



## Basic Technical Data

Name: Pedestrian pole  
 Type and height: ELTODO – 3,150 mm  
 ELTODO prolonged – 3,650 mm  
 Mass: 37 kg and 45 kg

## Contact

**ELTODO EG, a.s.**  
 Novodvorská 1010/14  
 142 01 Praha 4, Czech Republic  
 Phone: +420 261 341 554  
 Fax: +420 261 341 557  
 E-mail: [eltodo@eltodo.cz](mailto:eltodo@eltodo.cz)  
<http://www.eltodo.cz>