

TYPE: HLP 98 - G



Basic Information

The **HLP 98 – G** historic lamp is a replica of a gas lamp using Auer's gas mantles as its luminous source.

It is a **replica** of a lighting fixture from the early twentieth century.

The lighting fixture is especially suitable for illumination of urban historic centres, parks, pedestrian zones and anywhere where modern lighting fixtures designs would have disturbing effects.

Technical Description

The HLP 98 – G historic lamp consists of a tubular fork used for media supply, a supporting white enamelled base, and a two-piece enamelled housing. On the base under the housing are located the gas facility, the high-voltage electric starting circuit with the starting plug, and electronics for controlling the function of disconnecting the gas supply in case flames in mantles go off.

Six Auer's mantles are mounted on an aluminium-cast housing, and this whole set is, along with the starting plug, placed in the centre of the base plate. The functional section is covered with a resistive glass cover (Simax) with an opening for supplying additional air. Combustion gases are exhausted through a chimney above the base plate into the upper perforated housing section.

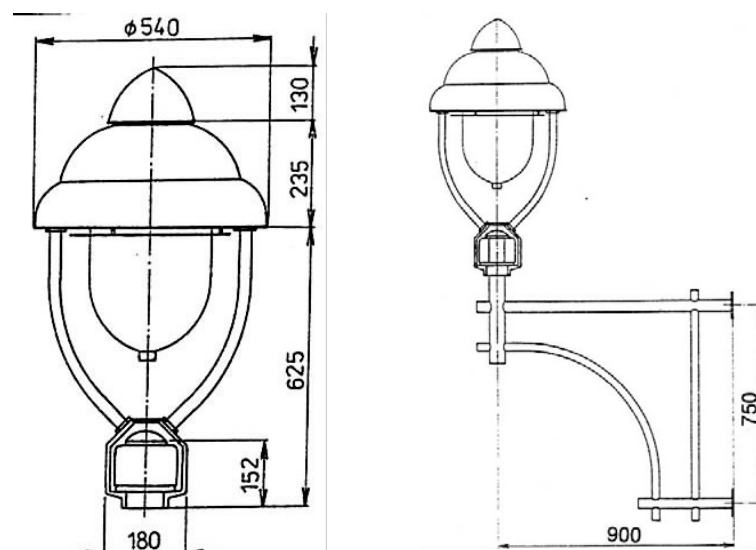
A cast iron piece from which the tubular fork comes out is used for fixing on the pole or the 60 mm diameter arm.

The starting circuit may be connected to the public illumination system control or to a special control operated from the control station, or controlled another way.

As standard, the lighting fixtures are supplied in the "Old Prague" colour tint, or in another colour as required by the customer.

The lighting fixture design meets all the regulations and instructions in force for operating gas appliances.

Technical Diagram



Lighting Fixture Parameters

Name:	Historic lamp
Type:	HLP 98 - G
Supply:	230 V / 50 Hz
Luminous source:	Auer's gas mantle
Number of mantles:	6 mantles
Gas used:	Natural gas
Gas pressure:	4.0 kPa
Gas consumption:	0.15 cu. m/hour
Optical section protection:	IP13
Electric section protection:	IP43
Mass:	
• Lantern	32 kg
• Arm	20 kg
Dimensions (DxH):	540x990 mm

Contact

ELTODO EG, a.s.
 Novodvorská 1010/14
 142 01 Praha 4, Czech Republic
 Phone: +420 261 346 828
 Fax: +420 261 346 803
 E-mail: eltodo@eltodo.cz
<http://www.eltodo.cz>